



Gas Stock Pot Range

Specifications

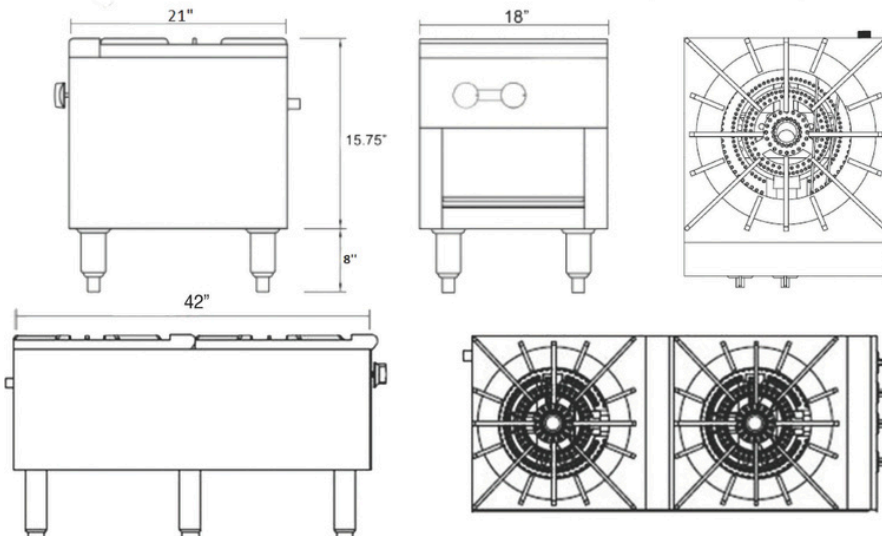


- Stainless steel construction
- Heavy duty 1-7/8" thick removable cast iron top grate
- 3-ring cast iron burner
- Dual control valves
- 2 standing pilot lights for instant ignition
- 8" adjustable legs
- Removable crumb tray for easy cleaning
- 3/4" rear NPT gas inlet, pressure regulator supplied

Model	Burners	External Dimensions			Total BTU's		Crated Weight (lbs)
		W	D	H	Natural	LP	
SP-1	1 (3 rings, 2 valves)	18	21	24	80,000	80,000	145
SP-2	2 (3 rings, 2 valves)	18	42	24	160,000	160,000	292



Features



Warranty: 1-year parts and labor

*Not suitable for installation in a non-commercial or residential applications.